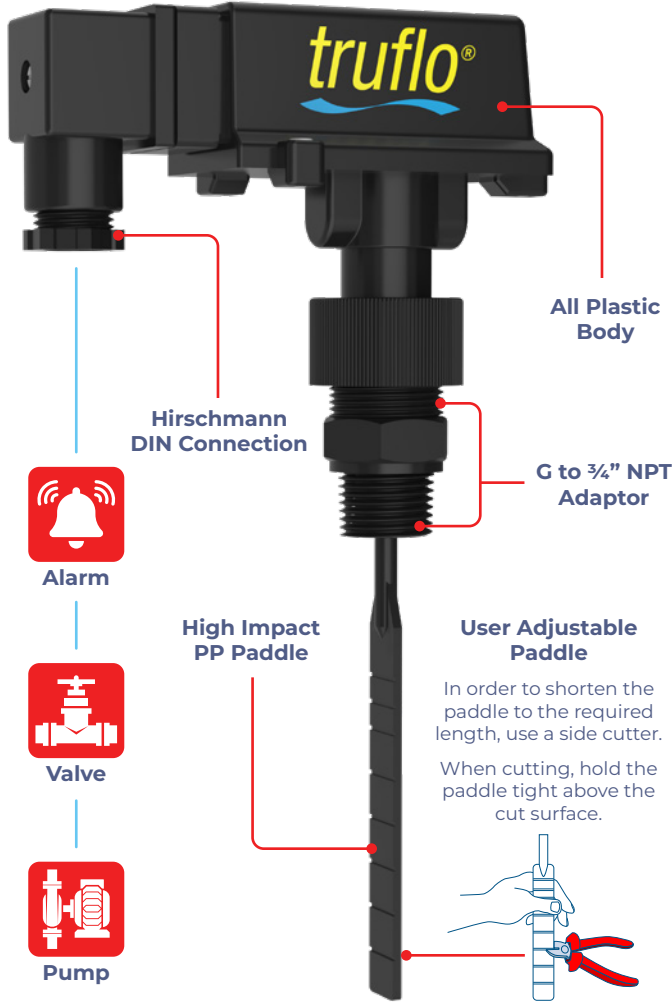


# Truflo® — FES Series Plastic Flow Switch



- ✓ Excellent Pump Protection
- ✓ Hirschmann DIN Connection | Wire at Sensor
- ✓ Low Flow Switch Points

- ✓ Corrosion Resistant PP Body | Paddle
- ✓ ½ - 12" Pipe Sizes
- ✓ IP65 | NEMA 4X Enclosure
- ✓ Simple Installation Process
- ✓ Easily Changed from NO to NC



## Protect your equipment

The Truflo® FES Series Flow Switch is designed to detect liquid flow or low/no flow.

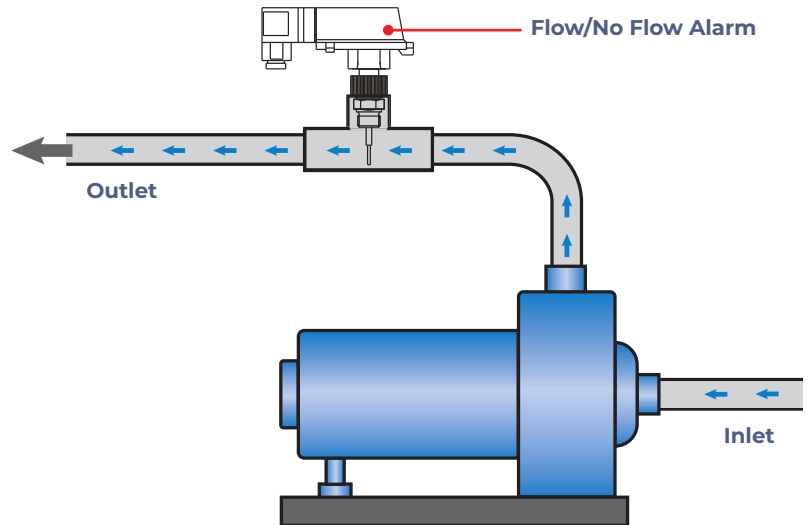
The FES switch encompasses a SPST contact that can be wired to energize a device when liquid flow either exceeds or drops below the set flow rate.

The FES Series is an excellent choice for corrosive liquid services, water treatment, waste treatment, liquid pumping and process control systems.

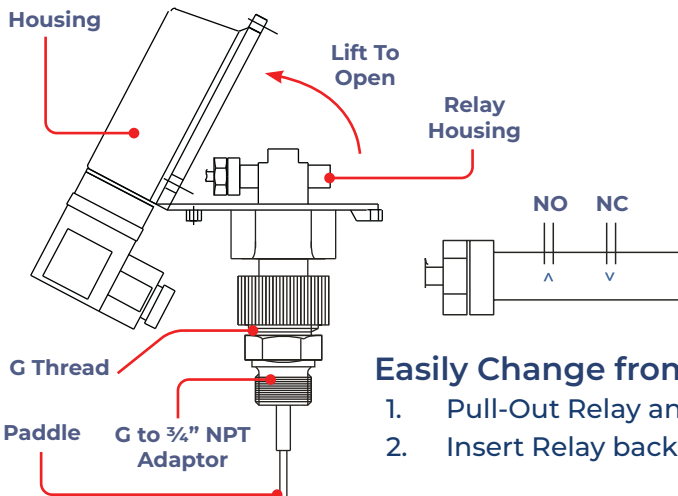
The FES Flow Switch can control devices such as pumps, motorized valves and alarm devices.

## Example

- ✓ Prevent Pumps from Running Dry
- ✓ Notification for Filter | Strainer Change-Out
- ✓ Output to Alarm | Shut Off Pump



## Simple Relay Switch | NO | NC



## Easily Change from NO to NC

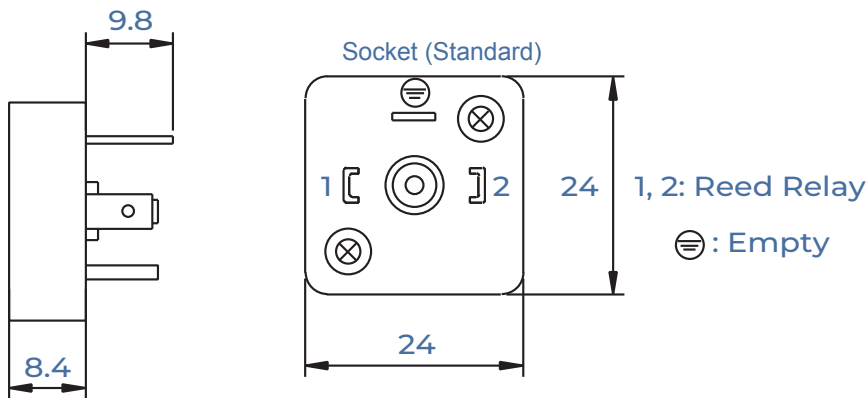
1. Pull-Out Relay and Rotate 180°
2. Insert Relay back into Position



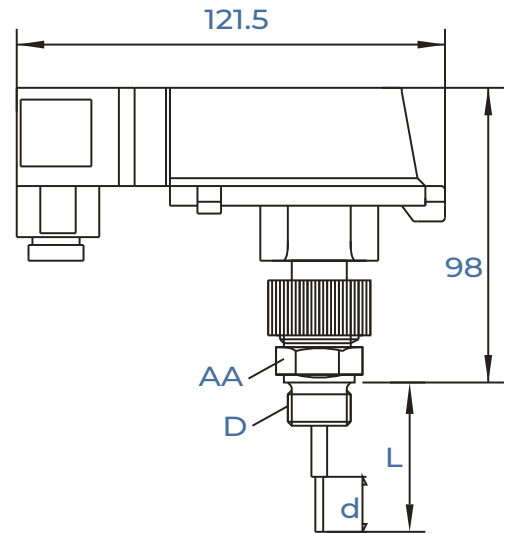
### Specifications

Body Material	PP
O-Ring	Viton
Max. Working Temperature	190°F   88°C
Max. Working Pressure   Non-Shock	145 psi   10 bar
Max. Contact Current	1.5A
Max. Power Supply	85 VDC   250 VAC
Relay	SPST Reed Switch   NO   NC   Adjustable
Protection Class	IP65   NEMA 4X

### Electrical Connections



### Dimensions



### Model Selection

Pipe Size	Model	Material	Connection Size D	Max. Flow LPM, Water	Rising Flow Rate Range LPM, Water	Falling Flow Rate Range LPM, Water	AA1-AA (MM)	L (MM)	d (MM)
½- 2"	FES-005	PP	½" NPT	333	1 ~ 2	0.9 ~ 1.9	27	50	20
3"	FES-005	PP	½" NPT	500	3 ~ 6	2.9 ~ 5.5	27	60	30
4"	FES-005	PP	½" NPT	667	4.8 ~ 8	4.6 ~ 7.5	27	70	40
6"	FES-005	PP	½" NPT	1833	8 ~ 11	7.8 ~ 10	27	80	50
8"	FES-005	PP	½" NPT	2000	18 ~ 24.2	17.5 ~ 24	27	90	60

Note: FES-005 model number applies to all lengths as 8" model can be trimmed to fit smaller pipe sizes